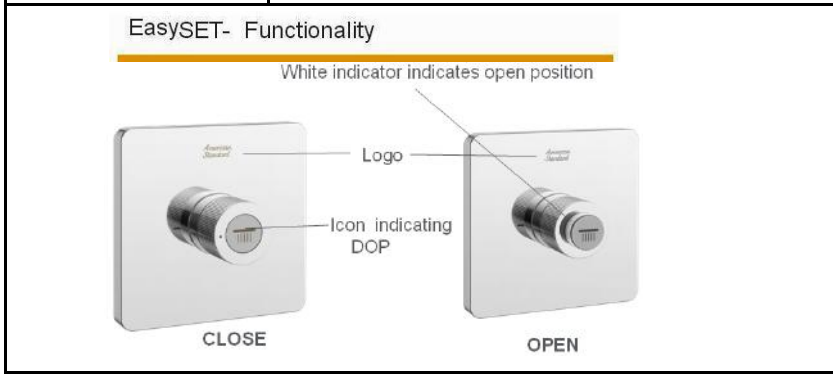
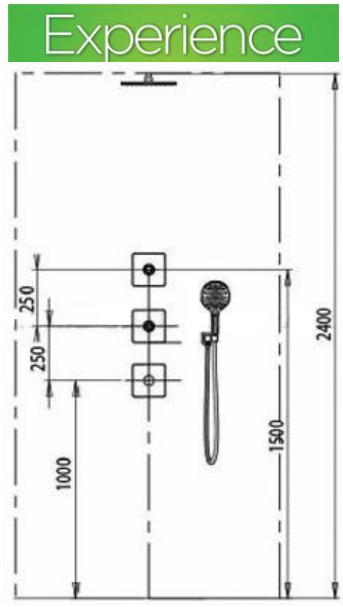




PROJECT		REF		REV	ITEM CODE	
LOCATION		DATE			PAGE	

SANITARY WARE SPECIFICATION SHEET

Item Descriptions	American Standard (PRC) "EasySET" Chrome plated push button function concealed thermostatic shower mixer with 250mm shower head, 3-functions "Airnergized" hand shower set, wall outlet and silver twist-free flexible hose ;nominated flow rate 6.6 L/min in WELS Grade 1 ; Registration No. SB 17-0023 ;nominated flow rate 7.3 L/min in WELS Grade 1 ; Registration No. SB 18-0132
Model	FFAS0926-709800BC0 (Shower Head Control) FFAS0925-709500BC0 (Shower Control) FFAS0930-000500BC0 (Thermostatic Mixer Control) FFAS038-00500BC0 (Shower Head) FFAS9143-000500BC0 (Water Outlet) FFAS9127-000500BC0 (Silver Hose) FFAS9H11-000500BC0 (Hand Shower)
Material	Chrome Plated
Manufacturer	American Standard (PRC)
Source	Acme Sanitary Ware Co. Ltd Mr. Eric Wong/ Mr. Don Yuen
Contact Tel/Fax	(852) 2388-7171 / (852) 2710-8012
E-mail	acme@acmesanitary.com.hk
Website	www.acmesanitary.com.hk



[Introductory Video:](#)
<https://www.youtube.com/watch?v=KiyLdUbdlcI> (EasySET)
<https://www.youtube.com/watch?v=g4UaHHfWnbc> (Rain Click Shower)

* All information of the above is for the reference only. No prior notice is made if any changes.



PROJECT		REF		REV	ITEM CODE	
LOCATION		DATE			PAGE	

SANITARY WARE SPECIFICATION SHEET

Note:

* All information of the above is for the reference only. No prior notice is made if any changes.

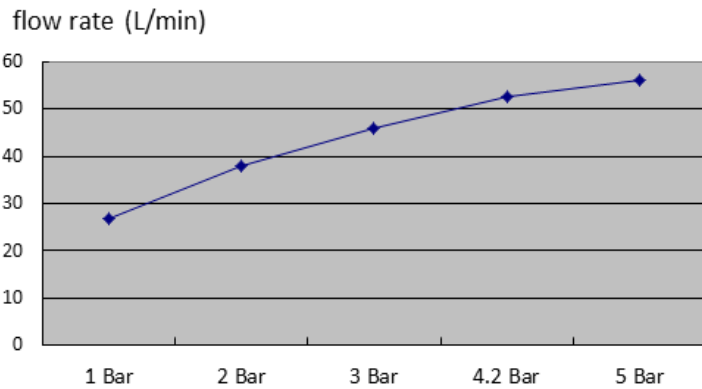
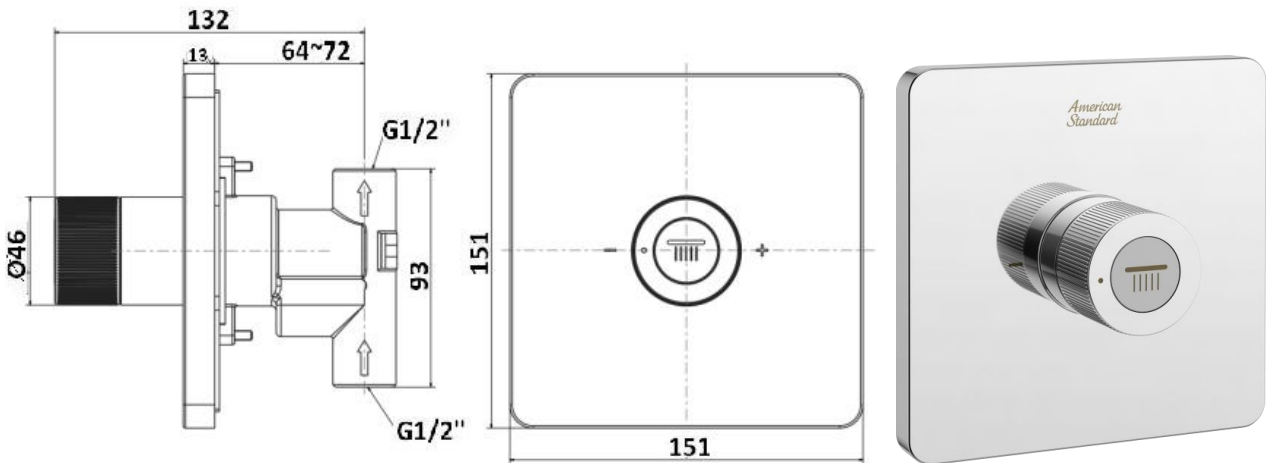


PROJECT		REF		REV	ITEM CODE	
LOCATION		DATE			PAGE	

SANITARY WARE SPECIFICATION SHEET

FFAS0926-709500BC0 EasySET for Head Shower

- EasySET for Overhead shower inclusive of conceal brass body
- Push button for open-close function
- Flow control by rotating the knob.
- Chrome finish Zinc Die Cast Knob, ABS Escutcheon
- Recommended Water Pressure 0.1Mpa~0.5Mpa
- Flow Rate at 3 bar 47 L/min



Note:

* All information of the above is for the reference only. No prior notice is made if any changes.

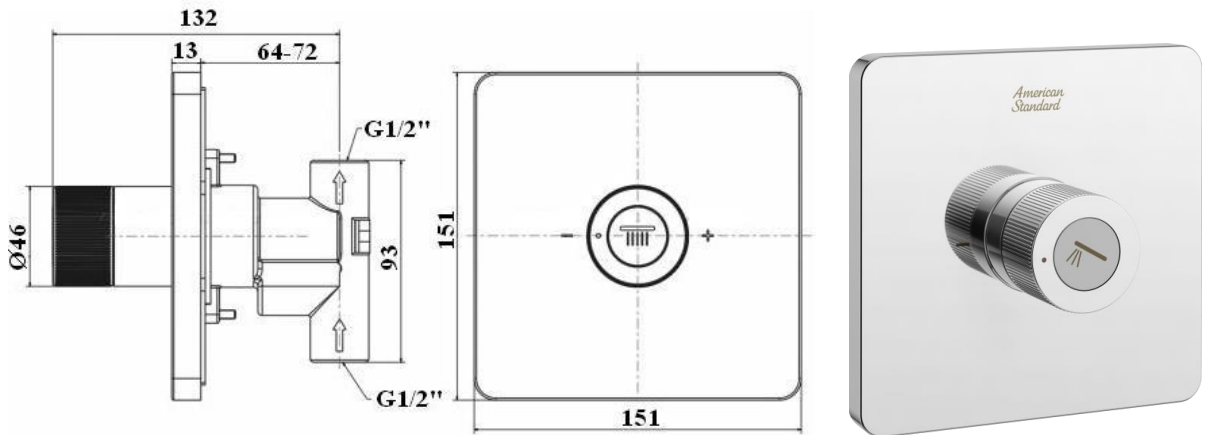


PROJECT		REF		REV	ITEM CODE	
LOCATION		DATE			PAGE	

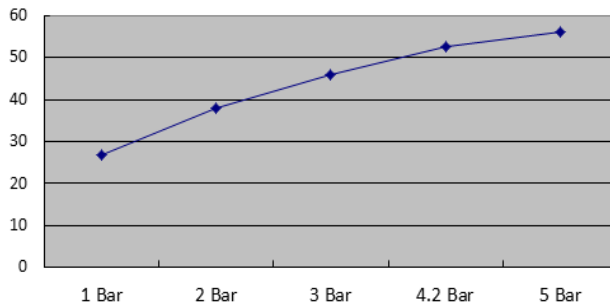
SANITARY WARE SPECIFICATION SHEET

FFAS0925-709500BC0 EasySET for Hand Shower

- EasySET for Hand Shower inclusive of concealed brass body
- Push button for open-close function
- Flow control by rotating the knob.
- Chrome finish Zinc Die Cast Knob, ABS Escutcheon
- Recommended Water Pressure 0.1Mpa~0.5Mpa
- Flow Rate at 3 bar 47 L/min



flow rate (L/min)



Easy SET in Colors



Note:

Champagne Gold, Rose Gold and Gun Metal are optional items for specification

* All information of the above is for the reference only. No prior notice is made if any changes.



PROJECT		REF		REV	ITEM CODE	
LOCATION		DATE			PAGE	

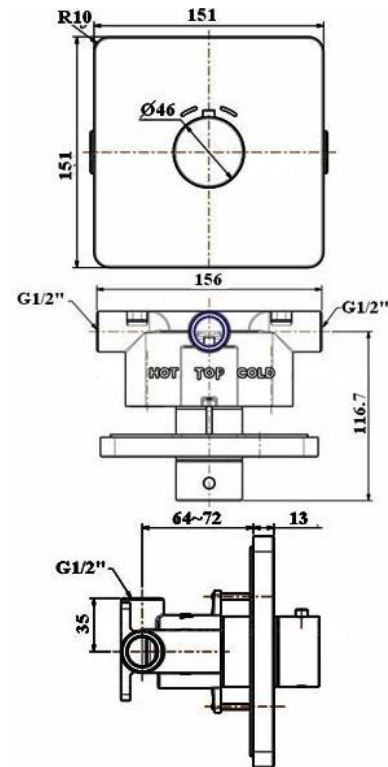
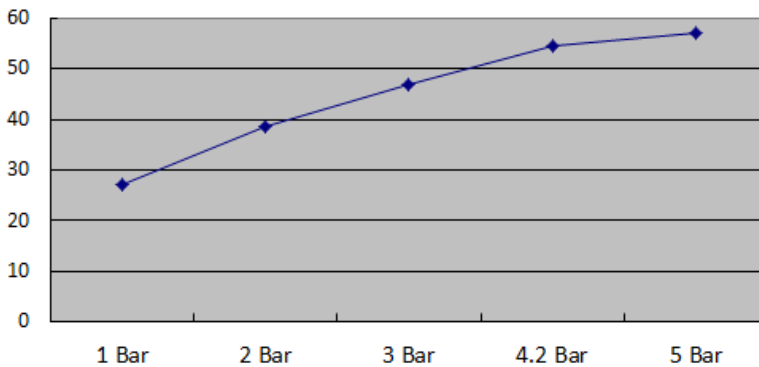
SANITARY WARE SPECIFICATION SHEET

FFAS0930-000500BC0 Conceal Thermostatic Mixer

- Thermostatic Mixer with concealed brass body
- Chrome finish Zinc Die Cast handle, ABS Escutcheon
- Factory setting temperature is 38 °C
- Back Flow preventer
- Cartridge will be shut off the outlet immediately
- Water temperature restrictor, the Max. temperature for the water coming out is lower than 49 °C
- Pressure 0.05 MPa ~ 0.75 MPa
- Recommended Water Pressure 0.1Mpa~0.5Mpa
- Flow Rate at 3 bar 47 L/min
- Anti Scalding Safety protection if the cold water supply stops



flow rate (L/min)



Note:

* All information of the above is for the reference only. No prior notice is made if any changes.



PROJECT		REF		REV	ITEM CODE	
LOCATION		DATE			PAGE	

SANITARY WARE SPECIFICATION SHEET

RAINCLICK HANDSHOWER

Discover the ease of our RainClick handshowers. Showering can be made that much easier, and so much more fun. Now you no longer have to fiddle with your handshower, risk dropping it, or getting your hair wet while switching to a different spray mode. Simply click an ingenious button to decide on your personal favourite spray modes.

We understand the pure joy of expecting something to work when a button is pressed. It's a small touch we added to your handshower, but the difference is surely liberating. Children will find the RainClick Handshower extremely fun, and we know you will (secretly) love it too.

With a white showerhead set in shiny chrome, this seemingly discreet handshower lends an understated touch to any bathroom style.

AN INTUITIVE LITTLE BUTTON YOU WANT TO CLICK, AND CLICK, AND CLICK

Modelled like a light switch, the RainClick offers ease of use with a simple click, what else? Your thumb will instinctively reach out for that button, and who can blame you? That's just a touch of intuitive user friendliness that we know will make you happy.

The soapy struggle in setting a handshower to your desired spray mode is a thing of the past. The RainClick Handshower is easy to use and control. Experience how easily you can switch between a refreshing burst of rain or an invigorating water massage. Showers are now so much more fun, convenient and just a click away

TRANQUIL, JET OR IN-BETWEEN?

Why have one when you can have three spray modes, plus a fun button to switch between them all? Shower fans will concur that shower enjoyment escalates with different spray modes. We help take your enjoyment one notch higher with our RainClick.

With 3-Spray Functions (Tranquil Rain, Jet Rain or Therapy Rain) pandering to your showering preference, simply throw your head back and enjoy the mode that suits you best. Whether you prefer a consistent and tranquil spray, a powerful jet of massaging water or the best of both worlds, all three pleasurable functions can be found in one convenient button.



Tranquil Rain
Soft, drizzling shower that is perfect for rinsing shampoo out.



Jet Rain
Targeted jet spray that kneads tired muscles.



Therapy Rain
Soothing vortex spray that gently relaxes the body

AIRNERGIZE TECHNOLOGY COMFORTABLE SHOWER EXPERIENCE

A luxurious shower with 20% water savings. Airnergize Technology provide you with a luxurious shower experience.

Dynamic flow pressure (kPa)	50	150	250	350	500
Flow rate (l/min)	2.53	5.33	6.88	7.55	8.30

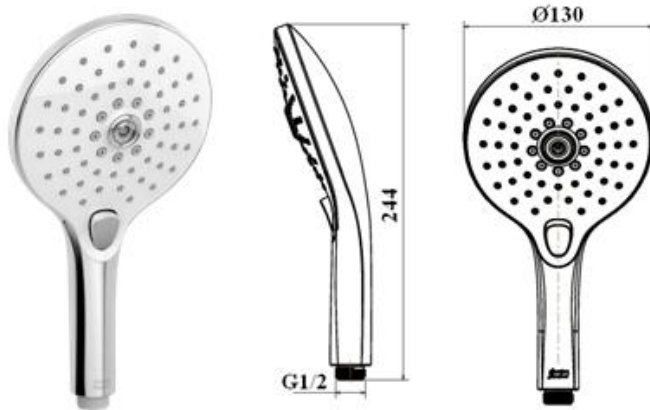
* All information of the above is for the reference only. No prior notice is made if any changes.



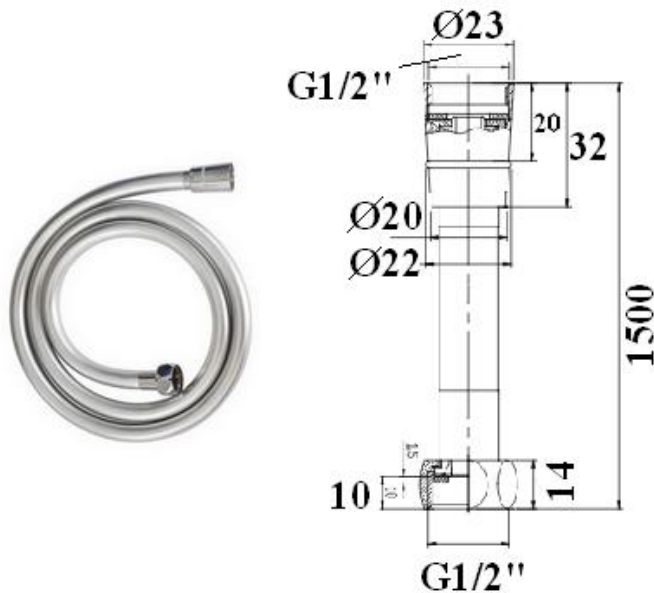
PROJECT		REF		REV	ITEM CODE	
LOCATION		DATE			PAGE	

SANITARY WARE SPECIFICATION SHEET

Shower head 3-functions FFAS9H11-000500BC0



1.5m Silver Twist-free Flexible Hose FFAS9127-000500BC0



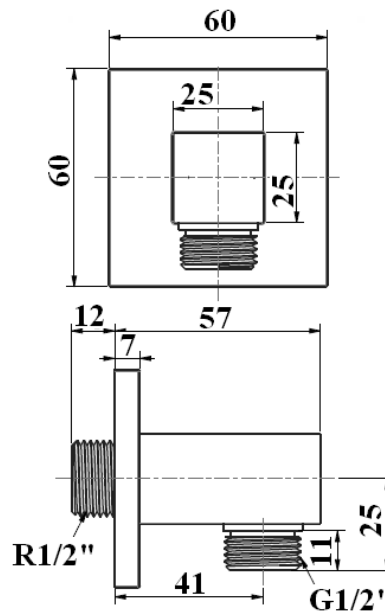
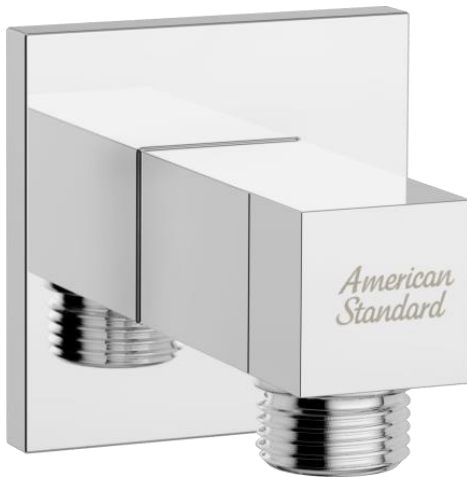
* All information of the above is for the reference only. No prior notice is made if any changes.



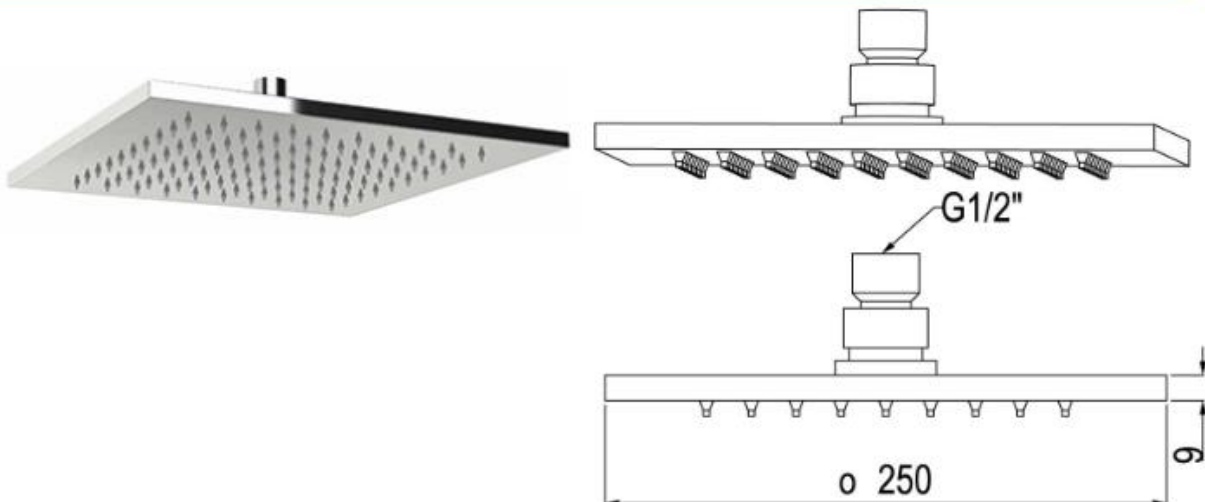
PROJECT		REF		REV	ITEM CODE	
LOCATION		DATE			PAGE	

SANITARY WARE SPECIFICATION SHEET

Wall Outlet with holder - Square (G1/2") FFAS9143-000500BC0



250mm Square Brass Rain Shower Head CF-S038.006



Dynamic flow pressure (kPa)	50	150	250	350	500
Flow rate (l / min)	4.25	7.05	5.00	5.18	5.48

* All information of the above is for the reference only. No prior notice is made if any changes.

註冊號碼 (Registration No.): SB 17-0023



白願參與用水效益標籤計劃 - 沐浴花灑
Voluntary Water Efficiency Labelling Scheme - Showers for Bathing




茲證明

This is to certify that

將下列花灑在本計劃內註冊：
has registered the following shower under this scheme :

牌子 / Brand	:	American Standard
型號 / Model	:	FFAS9H11-000500BC0
原產地 / Country or Region Origin	:	China

在用水效益標籤上展示的標誌 <i>Symbolic Presentation on the Water Efficiency Label</i>	:	 滴水點 <i>Water droplet(s)</i>
用水效益級別 <i>Water Efficiency Grade</i>	:	1
耗水量 <i>Water Consumption</i>	:	6.6 公升/分鐘 <i>litres/minute</i>

簽發日期:
Date of Issue: 28 August 2017

 水務署
Water Supplies Department



水務署署長(周世威代行)
for Director of Water Supplies

註冊號碼 (Registration No.): SB 18-0132




自願參與用水效益標籤計劃 - 沐浴花灑
Voluntary Water Efficiency Labelling Scheme - Showers for Bathing



茲證明
This is to certify that

將下列花灑在本計劃內註冊：
has registered the following shower under this scheme :

牌子 / Brand	:	American Standard
型號 / Model	:	CF-S038.006.50
原產地 / Country or Region Origin	:	China

在用水效益標籤上展示的標誌 <i>Symbolic Presentation on the Water Efficiency Label</i>	:	 滴水點 <i>Water droplet(s)</i>
用水效益級別 <i>Water Efficiency Grade</i>	:	1
耗水量 <i>Water Consumption</i>	:	7.3 公升/分鐘 <i>litres/minute</i>

簽發日期: 29 May 2018
Date of Issue:

 水務署
Water Supplies Department



水務署署長(周世威代行)
for Director of Water Supplies



Department

打道七號入境事務大樓

...on Tower, 7 Gloucester Road, Hong Kong

電子郵遞
e-mail wsdinfo@wsd.gov.hk

圖文傳真
Facsimile 2824 0578

檔 號
Reference (2) in WSD 3321/18 Pt.1 T/J(313)

24 April 2018

Approval of "AMERICAN STANDARD" Shower Control Valves

Your letter ref. WRC/1675 dated 23 March 2018 refers.

Having considered the test report ref. J21703 issued on 12 February 2018 by Nutek Systems (HK) Ltd., this Authority accepts that the fittings described below comply with, and their use when correctly installed does not contravene, the Waterworks Ordinance and Regulations.

Name of Manufacturer: American Standard

Country of Origin: China

Brand: American Standard

Details of Fittings: 1/2" Concealed shower control valve

Model: FFAS0925-709500BC0
FFAS0926-709500BC0
FFAS0927-709500BC0
FFAS0928-709500BC0

Body Markings: *American Standard*

Expiry Date: 1 August 2022

This Authority hereby permits the use of the above fittings in fresh water plumbing systems subject to full adherence to Waterworks installation requirements. In particular, you are required to draw your customers' attention to the following requirement-

"The cold water supply to the fittings shall be drawn from the same source that supplies the hot water apparatus so as to provide a balanced pressure and to obviate the risk of scalding in the event of a restriction or failure in the water supply." AND

"The shower head or handspray should not be placed in submerged conditions and should be securely fixed to the original position after use."

A condition of this acceptance is that the fittings to be installed shall be replicas of the samples as certified by the testing agent mentioned above and without modifications. This acceptance may be withdrawn at any time if the standard of the fittings installed fails to meet that of the approved samples or if the fittings are found to be unsuitable for use in fresh water plumbing systems.

This acceptance is only applicable to the main body of the fittings, unless other specified.

For the use of the fittings in any project, the Acceptance Reference Number at the bottom of this letter must be quoted as a means of identification of acceptance of the fittings by this Authority.

Should you have any enquiries, please contact our Engineer Mr. Terry KUNG at tel. no. 3583 4086.

Yours faithfully,



(CHAN Chung Kun)
for Water Authority

c.c. WSD 3321/1/82] - without catalogue
ME/MC] - with soft copy only



Department

入境事務大樓七號道
Immigration Tower, 7 Gloucester Road, Hong Kong

電子郵遞
e-mail wsdinfo@wsd.gov.hk

圖文傳真
Facsimile 2824 0578

檔號
Reference (2) in WSD 3321/18 Pt.1 T/J(216)

21 March 2018

Approval of "AMERICAN STANDARD" Thermostatic Mixer

Your letter ref. WRC/1599 dated 22 February 2018 refers.

Having considered the test report ref. J21704 issued on 1 February 2018 by Nutek Systems (HK) Ltd., this Authority accepts that the fitting described below comply with, and its use when correctly installed does not contravene, the Waterworks Ordinance and Regulations.

Name of Manufacturer: American Standard

Country of Origin: China

Brand: American Standard

Details of Fitting: 1/2" Concealed thermostatic mixer

Model: FFAS0930-000500BC0

Body Markings: *American Standard*

Expiry Date: 1 August 2022

This Authority hereby permits the use of the above fitting in fresh water plumbing systems subject to full adherence to Waterworks installation requirements. In particular, you are required to draw your customers' attention to the following requirement-

"The cold water supply to the fitting shall be drawn from the same source that supplies the hot water apparatus so as to provide a balanced pressure and to obviate the risk of scalding in the event of a restriction or failure in the water supply." AND

"The shower head or handspray should not be placed in submerged conditions and should be securely fixed to the original position after use."

A condition of this acceptance is that the fitting to be installed shall be replicas of the samples as certified by the testing agent mentioned above and without modifications. This acceptance may be withdrawn at any time if the standard of the fitting installed fails to meet that of the approved samples or if the fitting is found to be unsuitable for use in fresh water plumbing systems.

This acceptance is only applicable to the main body of the fitting, unless other specified.

For the use of the fitting in any project, the Acceptance Reference Number at the bottom of this letter must be quoted as a means of identification of acceptance of the fitting by this Authority.

Should you have any enquiries, please contact our Engineer Mr. Terry KUNG at tel. no. 3583 4086.

Yours faithfully,



(CHAN Chung Kun)
for Water Authority

c.c. WSD 3321/1/82] - without catalogue
 ME/MC] - with soft copy only